

# Linear axis

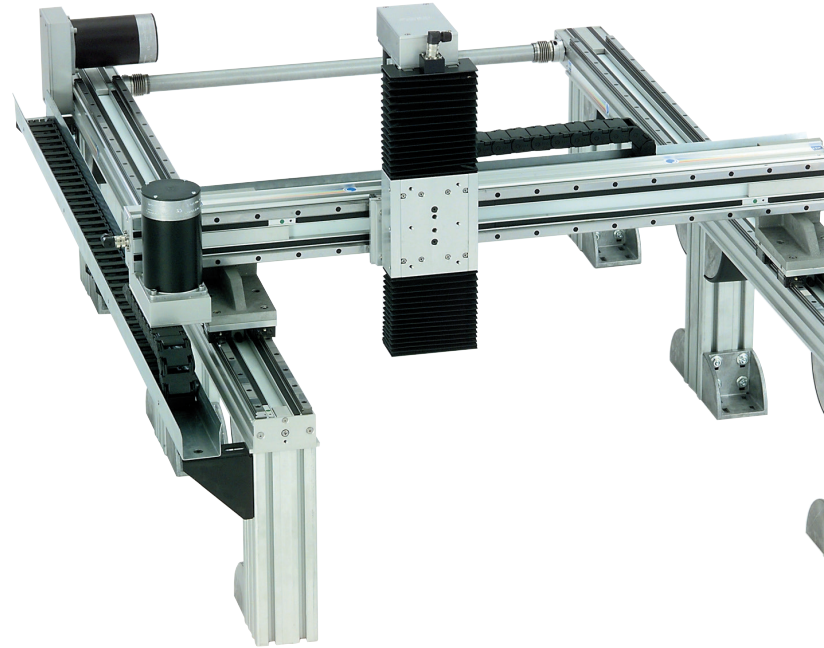
## ERO Speed 2000

Handling axis in modular system



### Technical data

max. traversing speed with toothed belt drive	2 m/sec
with ball screw drive	0,33 m/sec
repeatability with toothed belt drive	± 0,04 mm
with ball screw drive	± 0,01 mm
possible stroke with toothed belt drive	100 - 3.000 mm
with ball screw drive	100 - 1.000 mm
dyn. load	up to 16.700 N



### Control system

- compatible with the ERO control
- individual control of the motors

### Drive options

- toothed belt drive
- ball screw drive

### More options

- bellow cover
- steel cover strip
- individual drilling pattern
- multi-axis design
- can be combined with the ERO modular system

### Main advantages

- high torsional stiffness
- long service life
- special solutions possible
- ERO-Führungen as a partner with over 50 years of experience in linear technology



We make it moving

---

ERO-Führungen GmbH  
Weißkreuzstraße 16  
79843 Löffingen-Unadingen  
Deutschland

+49 (0) 7707 158-0  
[info@ero-fuehrungen.de](mailto:info@ero-fuehrungen.de)  
[www.ero-fuehrungen.de](http://www.ero-fuehrungen.de)