
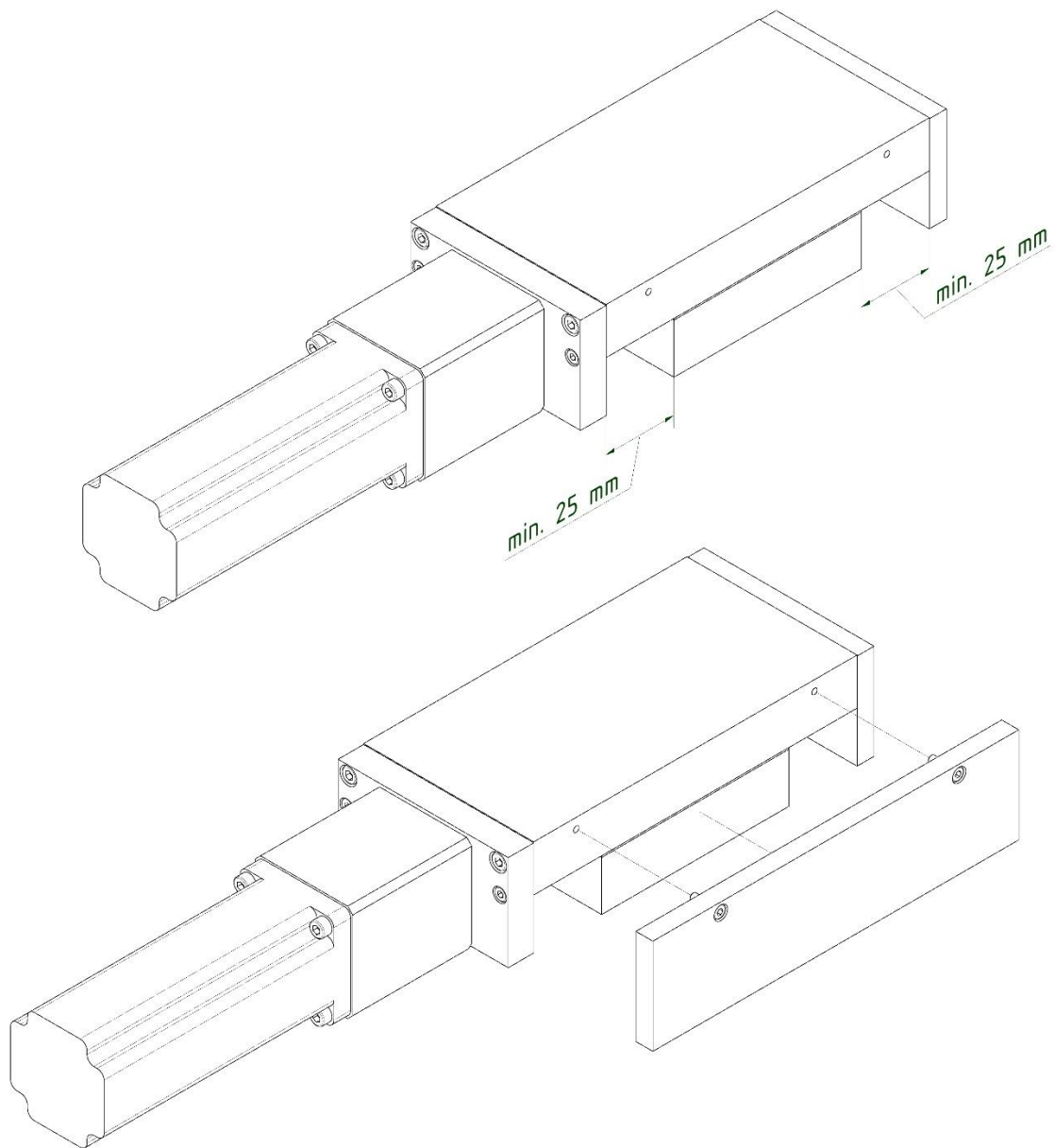



Document / Change Management FO 4.4 / Revision A	Name Warning Notice No. 11	
Page 1/1		

Attention: Between end plates and slide guidance outer part / guidance inner part, there is a potential risk of contusions for fingers. This danger must be eliminated after the integration of the slide guidance due to the gap of at least 25mm width between end plates and slide guidance outer- / guidance inner part that remains, or the gap should be covered by applying appropriate measures or the danger of contusions for fingers cannot be reached. DIN ISO 13854(2017) have to be observed.



Document / Change Management FO 4.4 / Revision A	Name Warning Notice No. 12	
Page 1/1		

Attention: This carriage guide has no self-locking and is provided with a displacement lock for transport. Remove the locking device carefully (cages could be lost).

